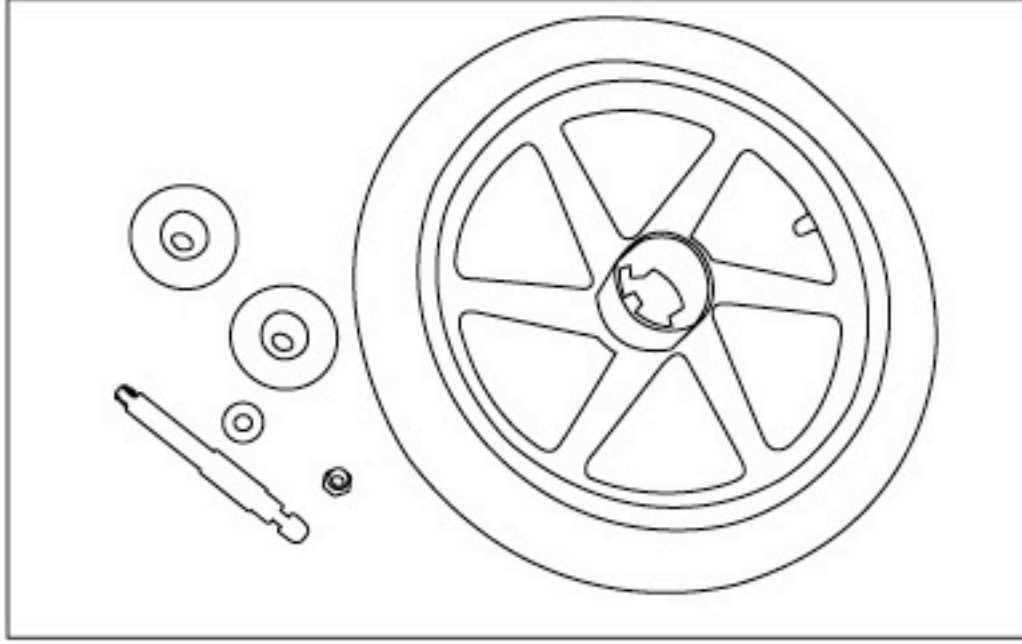
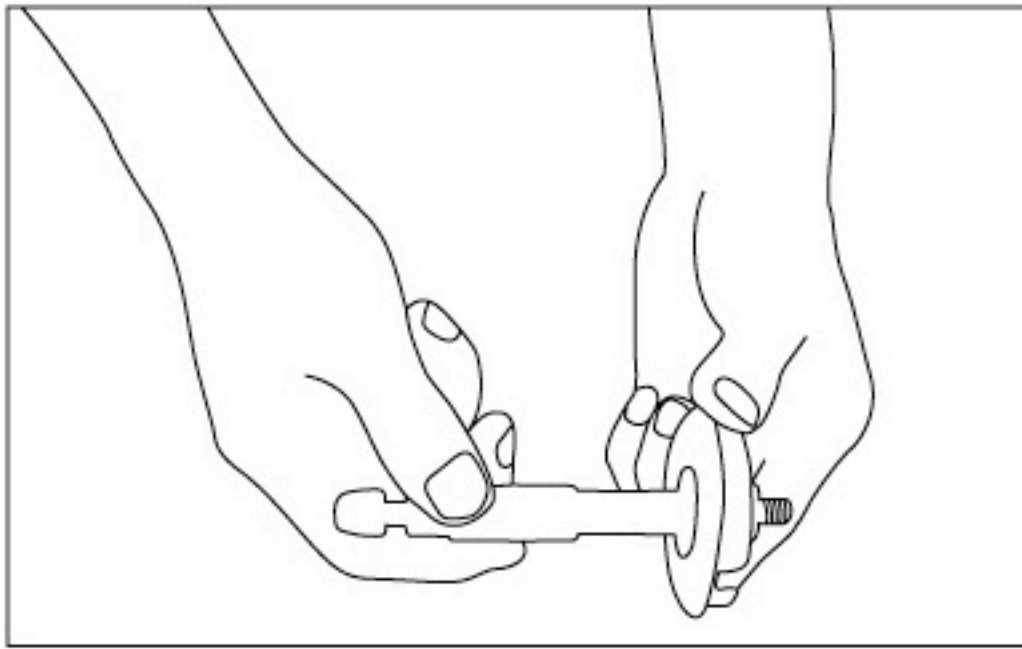




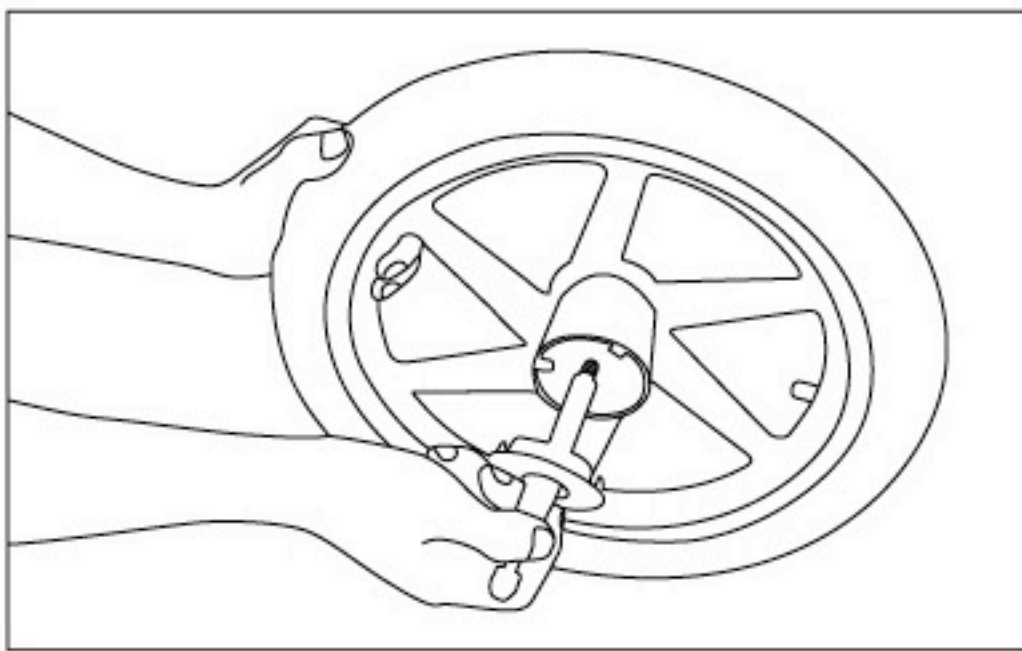
Wheel assemble and installation Final Approach Eliminator Cargo Blind



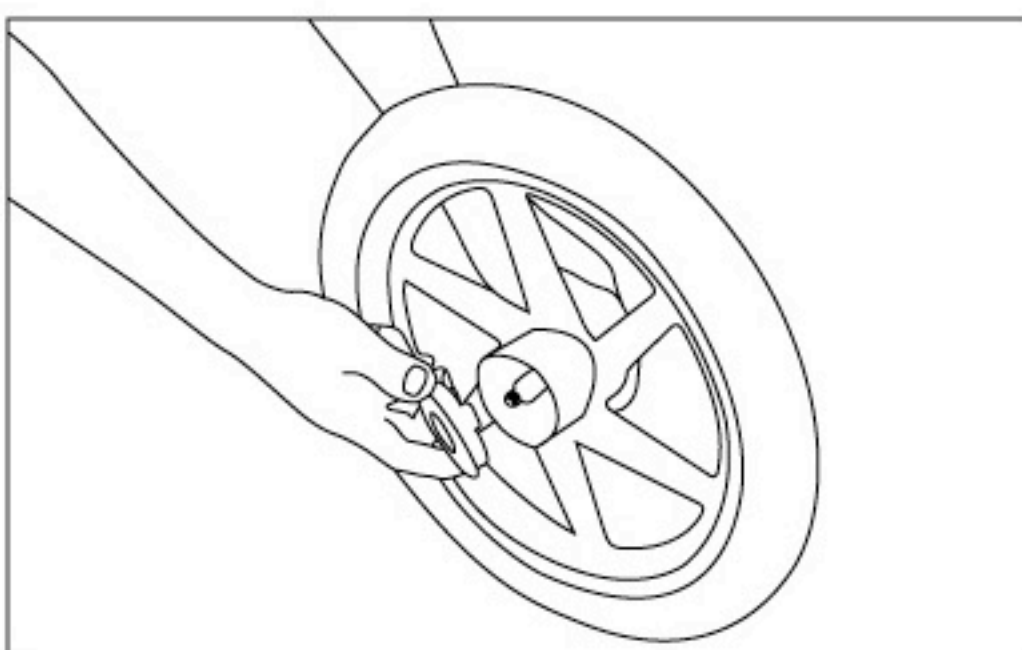
Included for each wheel are 1 axle, 1 washer, 1 locking nut, 2 axle locking plates and one wheel



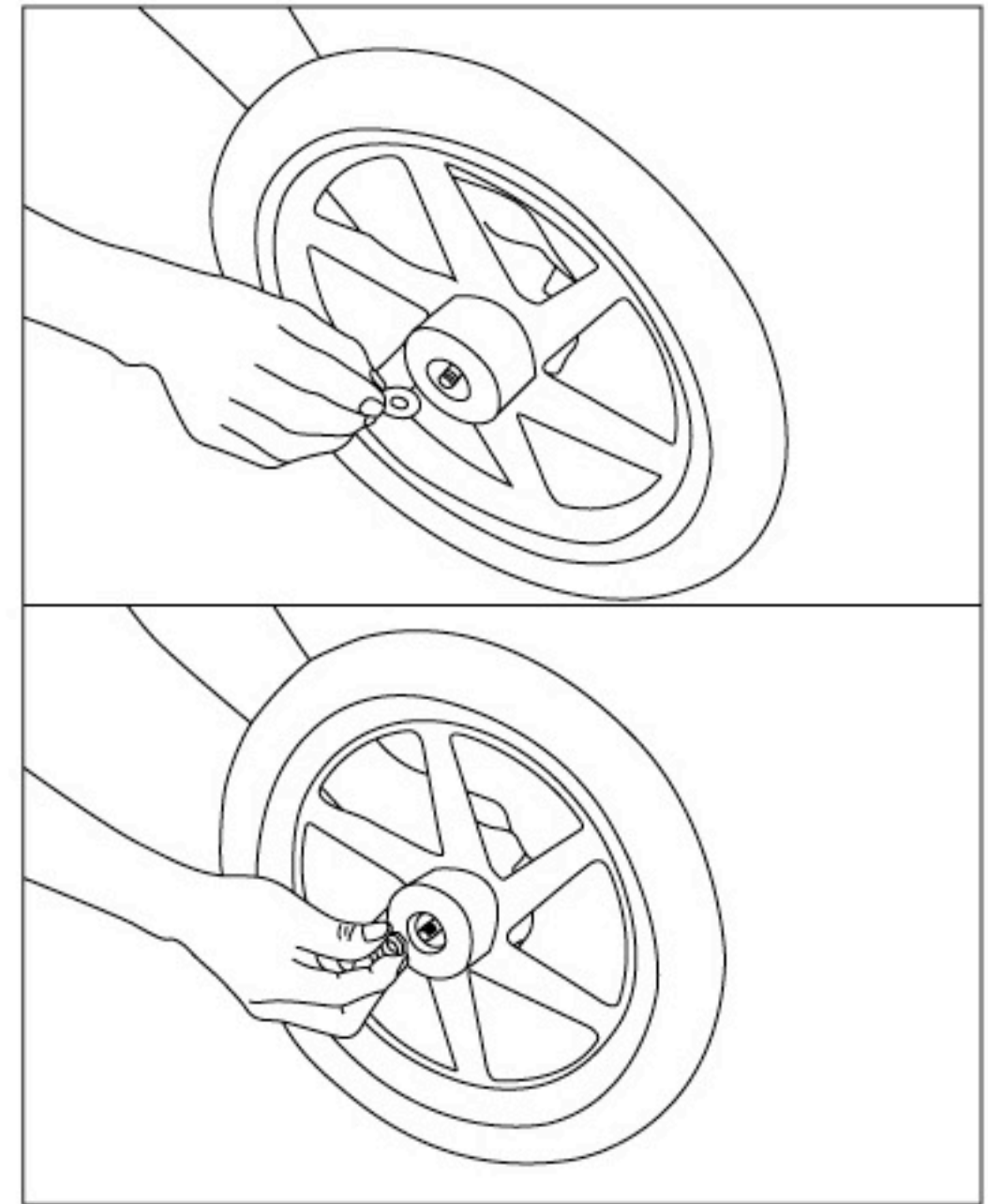
Step 1- Insert axle through one of the axle locking plates



Step 2- Insert axle through the center of the wheel



Step 3- Install other locking plate on other side of wheel. Make sure to put axle through hole in locking plate



Step 4- Insert washer on threaded part of axle and then screw on locking nut to secure axel to wheel.

Step 5- Repeat steps for second wheel

Step 6- insert axle and wheel into fitting on the back side fittings of blind. These will snap into place. To remove, push button on fitting and pull axle out.